



# Static Blower

FDN-H Series  
FGN-H Series



# R410A Ducted Split Features

## Tough Casing

Casing made of electro galvanized mild steel, coated with epoxy polyester for protection against corrosion.

## Indoor Air Quality

A 2-inch rail is provided at return air for installation of field-supplied filter.

## Convertible Air Throw Direction

Versatile, as air discharge direction (vertical or horizontal) can be changed at site according to requirements.

(For size 12.5hp and above only)

## Part Load Operation

The modular unit configuration allows it to operate under part load conditions to meet the required cooling capacity.

## Changeable Drive Package

The belt driven evaporator motor allows the change of pulley on-site to accommodate different static pressure and air flow requirements.

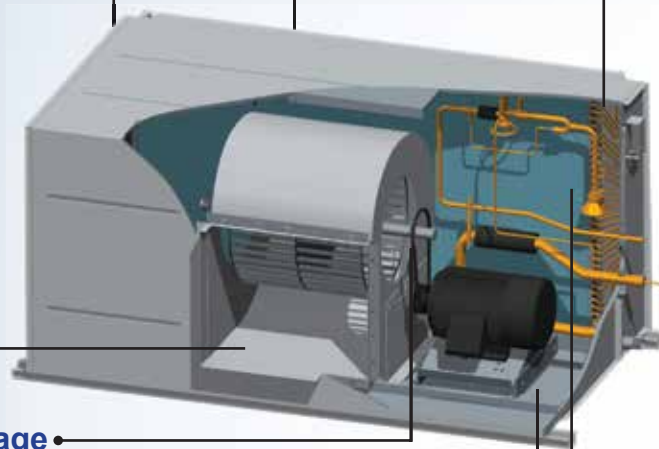
(For size 12.5hp and above only)

## Polyethylene (PE) Insulation

10mm-thick, fire-resistant insulation with durable surface that resists tough dirt and has a higher degree of puncture resistance compared to fiberglass.

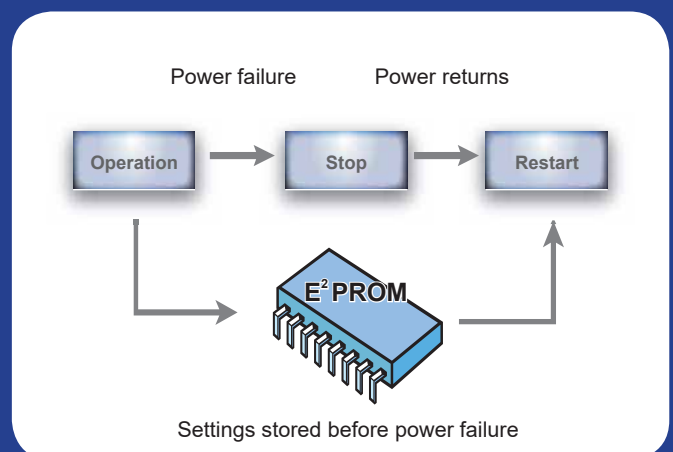
## Heat Exchanger

Seamless inner grooved copper tubes for optimum heat transfer.



## Auto Random Restart with Last-State-Memory

In the event of a sudden power failure during operation, unit restarts automatically in 64 different recovery timing patterns (within 180 seconds to 244 seconds) and the unit will operate based on the previous setting (operating mode, temperature setting and fan speed). This ensures that air conditioners in the same building resume randomly instead of all units resuming at the same time, preventing power surge after a blackout.



# R410A Condensing Unit Features

## Condenser Fan Motor with IP55 Ingress Protection

The motor is designed with dust proof bearing to ensure the reliability and smooth operation.

## Convertible Air Throw

Flexible, as air discharge direction (vertical or horizontal) can be changed at site according to requirements.

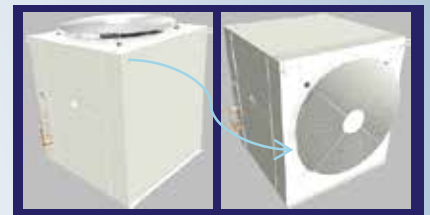
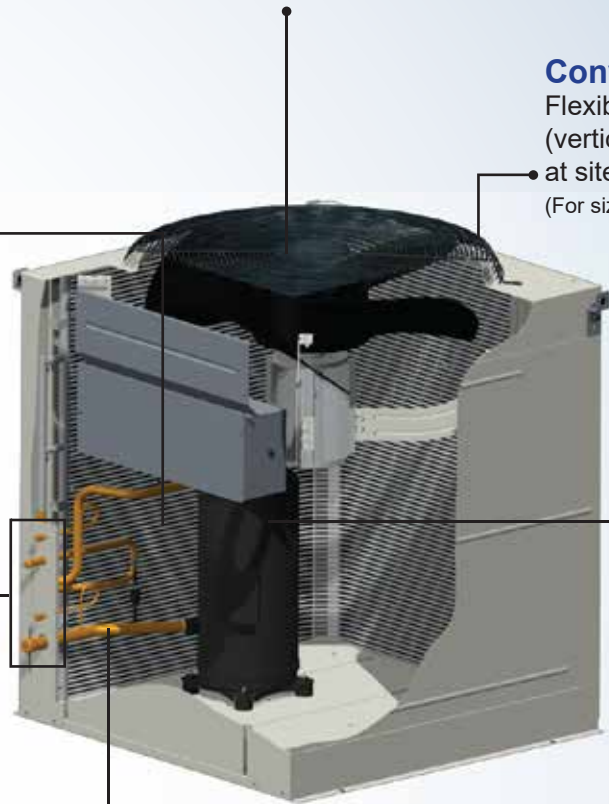
(For sizes 100, 125 and 150)

## Service-friendly Design

Easy access to compressor and control panel. Fan motor assembly can easily be removed for servicing. Condenser coil is easier to clean as it has lower resistance to air flow, thus, accumulates lesser dust.

## Service Access Valve

Valves are provided for installation of pressure gauge at site. These valves are easily accessible without the needs to open the service panel.



## Long Piping

Maximum piping length and elevation of 75m and 30m respectively, providing design flexibility for large-sized buildings.

## High Efficiency Scroll Compressor

High efficiency, low noise and hermetically sealed scroll compressor for optimum performance. It also comes with an internal overload protection and crankcase heater.

## Product Features

- Balance loading helps enhance compressor reliability by balancing compressor run time of each unit.
- High Pressure and Low Pressure protection.
- Compressor & motor current overload protection.
- Sensor fault indication.
- Minimum compressor running time to ensure oil return.
- Phase sequential is used to detect for any wrong phase and phase loss during installation and operation.



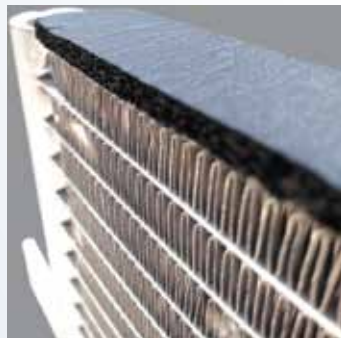
## Microchannel at a Glance

The condenser's heat exchanger is made up of all-aluminium microchannel coil. Comparing to the conventional fin-and-tube coil, the microchannel coil resists galvanic corrosion and has a stronger structure. With the same face area, the microchannel coil requires lesser refrigerant charge while providing better heat exchange, and is lighter over the conventional fin-and-tube coil.



### Superior Heat Exchange Performance

Micro-multiport extrusion tube increases the heat transfer surface area between refrigerant and air. Its small diameter of the extrusion tubes and the continuous contact between the tubes with the fins ensures efficient heat transfer.



### Robust

Reinforcement dummy tubes are placed on the top and bottom to protect the first and last micro-multiport extrusion tube. In addition, insulation is added to safeguard the coil from vibration during transportation. The coil structure is robust and is less susceptible to fin damage as compared to conventional fin-and-tube coil. Therefore, high pressure spray wash can be used to clean the coils.



### Metallurgical Bond

The microchannel coil has lesser brazed joints compared to the conventional fin-and-tube coil. All aluminium-to-copper joints are protected with heat shrink sleeve to prevent corrosion.

# Wired Controller



BRC51A62/64

## Features:

- Temperature Setting of 16°C to 30°C
- Temperature operate in °C and °F
- Fan Speed Setting (H/M/L/Auto) \*
- Cool/Heat/Fan/Dry
- Energy Saving Mode
- Self-diagnosis Error Code Display
- Key Lock & Fan-lock Function
- Real Time Clock with 7 Days Programmable Timer
- Sleep function
- Air swing function
- Error indicator
- Batteries backup and retain setting during power failure
- Last state memory (memory backup setting from main board)
- Delay timer (1 or 2 hours)
- Interaction with wireless handset (BRC52A62/64)

\* Applicable for FDN80/100H only.



BRC51C61

## Features:

- Temperature Setting of 16°C to 30°C
- Energy Saving Mode
- Self-diagnosis Error Code Display
- Key Lock Function
- Compressor Running Display
- Real Time Clock with 7 Days Programmable Timer



FDN80/100HV1



RN80HY1



RCN100/125/150HY1

Specification for ducted split H series - Cooling only (R410A)

Indoor model name		FDN80HV1	FDN100HV1	FDN125HY1	FDN150HY1	2FDN200HY1	2FGN250HY1	2FGN300HY1	
Outdoor model name		RN80HY1	RCN100HY1	RCN125HY1	RCN150HY1	RCN100HY1x2	RCN125HY1x2	RCN150HY1x2	
Nominal cooling capacity	Btu/hr	80000	100000	125000	150000	200000	250000	300000	
	W	23400	29300	36600	44000	58600	73200	88000	
Nominal EER	W/W	3.30	2.93	3.23	2.97	2.97	3.07	2.88	
Indoor	Power supply	V/Ph/Hz 220-240/1/50				380-415/3/50			
	Airflow (H/M/L) or (H only)	cfm	2300/2200/2000	3000/2800/2500	3750	4500	6000	7500	9000
	External static pressure (H/M/L) or (H only)	Pa	100/95/80	100/85/70	150		200		
	Sound pressure level (H/M/L) or (H only)	dBA	52/52/52	55/54/54	53	56	61	63	66
	Dimensions (HxWxD)	mm	553x1402x605		776x1540x850		885x1794x850	1231x1766x1069	
	Net weight	kg	83	84	159		196	323	337
Outdoor	Power supply	V/Ph/Hz 380-415/3/50							
	Sound pressure level	dBA	69	65		70	65		70
	Dimensions (HxWxD)	mm	929x1235x496	1067x880x880	1067x980x980	1166x980x980	1067x880x880	1067x980x980	1166x980x980
	Net weight	kg	111	135	157	177	135	157	177
	Pipe connection - Liquid	mm / in.	12.7 / ½			15.88 / ½	12.7 / ½		15.88 / ½
	Pipe connection - Gas	mm / in.	22.23 / ¾	25.40 / 1	28.58 / 1½	34.92 / 1¾	25.40 / 1	28.58 / 1½	34.92 / 1¾
	Max. piping length	m	75						
	Max. piping elevation	m	30						

Indoor model name		3FGN300HY1	3FGN350HY1		4FGN400HY1	3FGN450HY1	4FGN500HY1	4FGN600HY1	
Outdoor model name		RCN100HY1x3	RCN100HY1x3	RCN125HY1x2	RCN100HY1x4	RCN150HY1 x3	RCN125HY1x4	RCN150HY1x4	
Nominal cooling capacity	Btu/hr	300000	350000		400000	450000	500000	600000	
	W	88000	102500		117200	131900	146500	175850	
Nominal EER	W/W	2.96	2.97		2.98	2.87	2.93	2.85	
Indoor	Power supply	V/Ph/Hz 380-415/3/50							
	Airflow	cfm	9000	10500		12000	13500	15000	18000
	External static pressure	Pa	200			250		300	
	Sound pressure level	dBA	66				68		70
	Dimensions (HxWxD)	mm	1231x1766x1069	1486x2022x1069		1486x2174x1336		1918x2174x1775	
	Net weight	kg	337	431		488	533	580	899
Outdoor	Power supply	V/Ph/Hz 380-415/3/50							
	Sound pressure level	dBA	65				70	65	70
	Dimensions (HxWxD)	mm	1067x880x880		1067x980x980	1067x880x880	1166x980x980	1067x980x980	1166x980x980
	Net weight	kg	135		157	135	177	157	177
	Pipe connection - Liquid	mm / in.	12.7 / ½				15.88 / ½	12.7 / ½	15.88 / ½
	Pipe connection - Gas	mm / in.	25.40 / 1		28.58 / 1½	25.40 / 1	34.92 / 1¾	28.58 / 1½	34.92 / 1¾
	Max. piping length	m	75						
	Max. piping elevation	m	30						

1. Rated cooling capacities are based on the following conditions: Indoor temp. 27°CDB, 19°CWB; outdoor temp. 35°CDB.  
 2. The condensing unit is shipped with only nitrogen holding charge. Refrigerant charging is required at site.  
 3. All units are being tested and comply to ISO5151 (Non-Ducted Unit) or ISO13253 (Ducted Unit)

Warning



- Daikin products are manufactured for export to numerous countries throughout the world. Prior to purchase, please confirm with your local authorised importer, distributor and/or retailer whether this product conforms to the applicable standards, and is suitable for use, in the region where the product will be used. This statement does not purport to exclude, restrict or modify the application of any local legislation.
- Ask a qualified installer or contractor to install this product. Do not try to install the product yourself. Improper installation can result in water or refrigerant leakage, electrical shock, fire or explosion.
- Use only those parts and accessories supplied or specified by Daikin. Ask a qualified installer or contractor to install those parts and accessories. Use of unauthorised parts and accessories or improper installation of parts and accessories can result in water or refrigerant leakage, electrical shock, fire or explosion.
- Read the User's Manual carefully before using this product. The User's Manual provides important safety instructions and warnings. Be sure to follow these instructions and warnings.

If you have any enquiries, please contact your local importer, distributor and/or retailer.

Caution



Cautions on product corrosion

1. Air conditioners should not be installed in areas where corrosive gases, such as acid gas or alkaline gas, are produced.
2. If the outdoor unit is to be installed close to the sea shore, direct exposure to the sea breeze should be avoided. If you need to install the outdoor unit close to the sea shore, contact your local distributor.

Dealer

**DAIKIN MALAYSIA SDN. BHD.**

Lot 60334, Persiaran Bukit Rahman Putra 3,  
Taman Perindustrian Bukit Rahman Putra,  
47000 Sungai Buloh, Selangor Darul Ehsan, Malaysia.  
<http://www.daikinmalaysia.com/>

**DAIKIN INDUSTRIES, LTD.**

Head office:  
Umeda Center Bldg., 2-4-12, Nakazaki-Nishi,  
Kita-ku, Osaka, 530-8323 Japan.